

20 DECEMBER 2019

## COOLING UNIT FOR CONTROL PANELS PSC 4140



## AIR CONDITIONERS FOR CONTROL PANELS PSC 4140

### TECHNICAL FEATURES:

<b>ITEM CODE</b>	<b>PSC</b>	<b>4140 H31</b>	
<b>USEFUL COOLING OUTPUT</b>			
L35 - L35 (50/60)	W	<b>400/440</b>	
L35 - L50 (50/60)	W	<b>290/320</b>	
<b>OPERATION FIELD</b>			
ENVIRONMENTAL TEMPERATURE	°C	<b>20 – 55</b>	
CABINET TEMPERATURE	°C	<b>20 – 50</b>	
<b>VOLTAGE</b>			
RATED VOLTAGE	V / Hz	<b>230V~ 50- 60 Hz 1~</b>	
<b>CURRENT</b>			
RATED CURRENT (FLA 50/60)	A	<b>1,5</b>	
START UP CURRENT (LRA 50/60)	A	<b>6</b>	
<b>POWER CONSUMPTION</b>			
RATED L35 - L35 (50/60)	W	<b>270</b>	
MAXIMUM L35 - L50 (50/60)	W	<b>340</b>	
<b>REFRIGERANT</b>			
TYPE	<b>R</b>	<b>134a</b>	
FILLING	g.	<b>280</b>	
ADMISSIBLE PRESSURE	kPa	<b>2250</b>	
<b>PROTECTION CATEGORY - EN 60529</b>			
INTERNAL CIRCUIT	IP	<b>55</b>	
EXTERNAL CIRCUIT	IP	<b>34</b>	
<b>FAN FLOW FREE MOUTH</b>			
INTERNAL CIRCUIT	mc/h	<b>180</b>	
EXTERNAL CIRCUIT	mc/h	<b>350</b>	
<b>NOISE LEVEL</b>			
MAXIMUM	dB (A)	<b>58</b>	
<b>NET WEIGHT</b>			
ACCESSORIES EXCLUDED	Kg	<b>26</b>	
<b>COLOR</b>			
STANDARD	RAL	<b>7035 (other colors available on request)</b>	
<b>OVERALL DIMENSIONS</b>			
WIDTH	mm.	<b>310</b>	
DEPTH (WITHOUT GRID)	mm.	<b>215</b>	
HEIGHT	mm.	<b>500</b>	
<b>INTERMITTENCE</b>			
		<b>100 %</b>	
<b>ADJUSTMENT</b>			
BUILT-IN DIGITAL ELECTRONIC THERMOSTAT	<b>Factory default settings: set =35 °C – Δt =5k</b>		

## AIR CONDITIONERS FOR CONTROL PANELS PSC 4140

### Device description PSC 4140

- Power voltage 230 V 50-60 Hz
- Refrigerant R134a without CFC
- Electronic digital microprocessor thermostat with the configurable delay for the output relay (prevents short intermittent cycles) and with integrate alarm functions: over range, probe faulty, probe interrupted and incorrect probe connections.
- Pressure switch for adjusting the fan speed to the condenser: anti-dusting, anti-condensation, anti-freeze and anti-noise function
- Filter in regenerable aluminium stocking, removable without the use of tools, on room air intake
- Motor-compressor and motor-fans equipped by internal thermal overload protection
- Condensate collection tray served by double safety drain
- Electrical connections via 9-pin Wago quick connector
- Thermostat with digital input for door microposition management
- High pressure blocking pressure switch (oprional)

#### STANDARD EQUIPMENT INCLUDES

1. Installation kit that consisting:	3. Condensate drain kit that consisting:
• sealing gasket	• flexible pipes for condensate drain
• trheaded studs, nuts, washers	4. Test certificated
2. Installation, use and maintenance manual	5. Warranty certificated

OPTIONAL ACCESSORIES	Item code
Semi-recessed carter for recessed installation 100 mm - the extension xx defines the colouring	PAI 1026100xx
Carter for completely recessed installation - the extension xx defines the colouring	PAI 1026190xx
Filter holder tray - the extension xx defines the colouring	PAI 102610xx
Dust filtering septum for room air intake grille	050320
Oil filtering septum for room air intake grille	050113
High pressure switch to signal dirty filter / condenser fan failiure	PAF 208006
Thermostat with digital input to manage door micro position	PAF 208260
1 liter bottle for condensed water, with bracket and fixing screws	P0000201

#### CODE AND VARIANTS DESCRIPTION

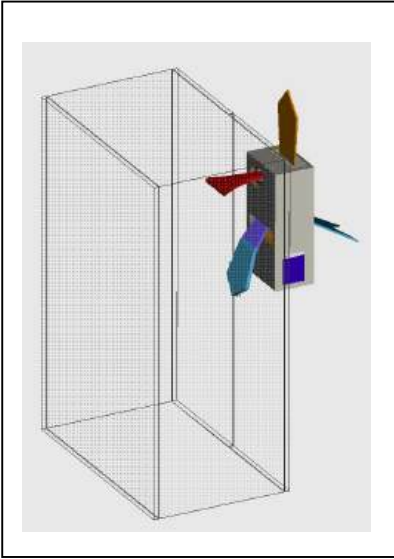
Series	Model	Voltage V	Frequency Hz	Phases ~	Painting	Tipe of execution
PSC	4140	230 -- H	50-60 ~ 3	Single-phase ~ 1	Ral 7032 – 01 Ral 7035 – 07 Ral 1014 – 06	Standard -- A

#### COMPLETE ORDER CODE ( es. PSC 4140H3107A)

PSC	4140	H	3	1	07	A
-----	------	---	---	---	----	---

# AIR CONDITIONERS FOR CONTROL PANELS PSC 4140

## VENTILATION FLOWS

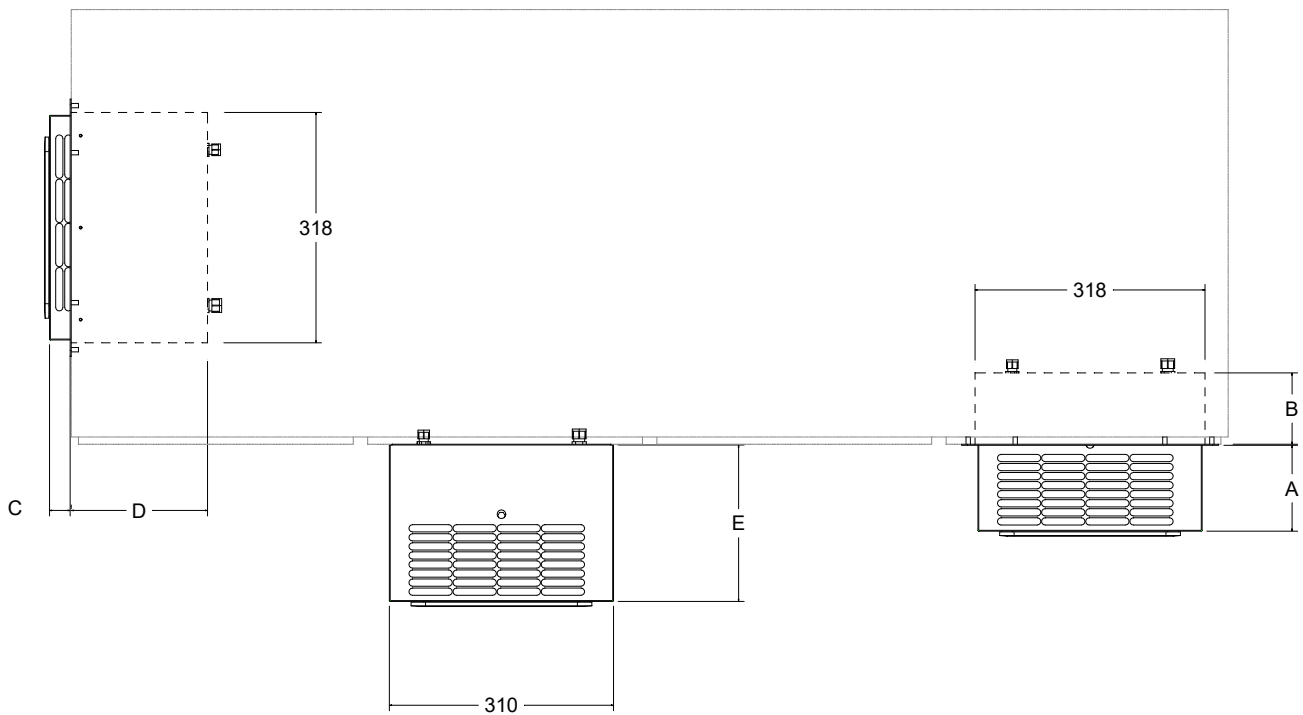


## TYPES OF INSTALLATION



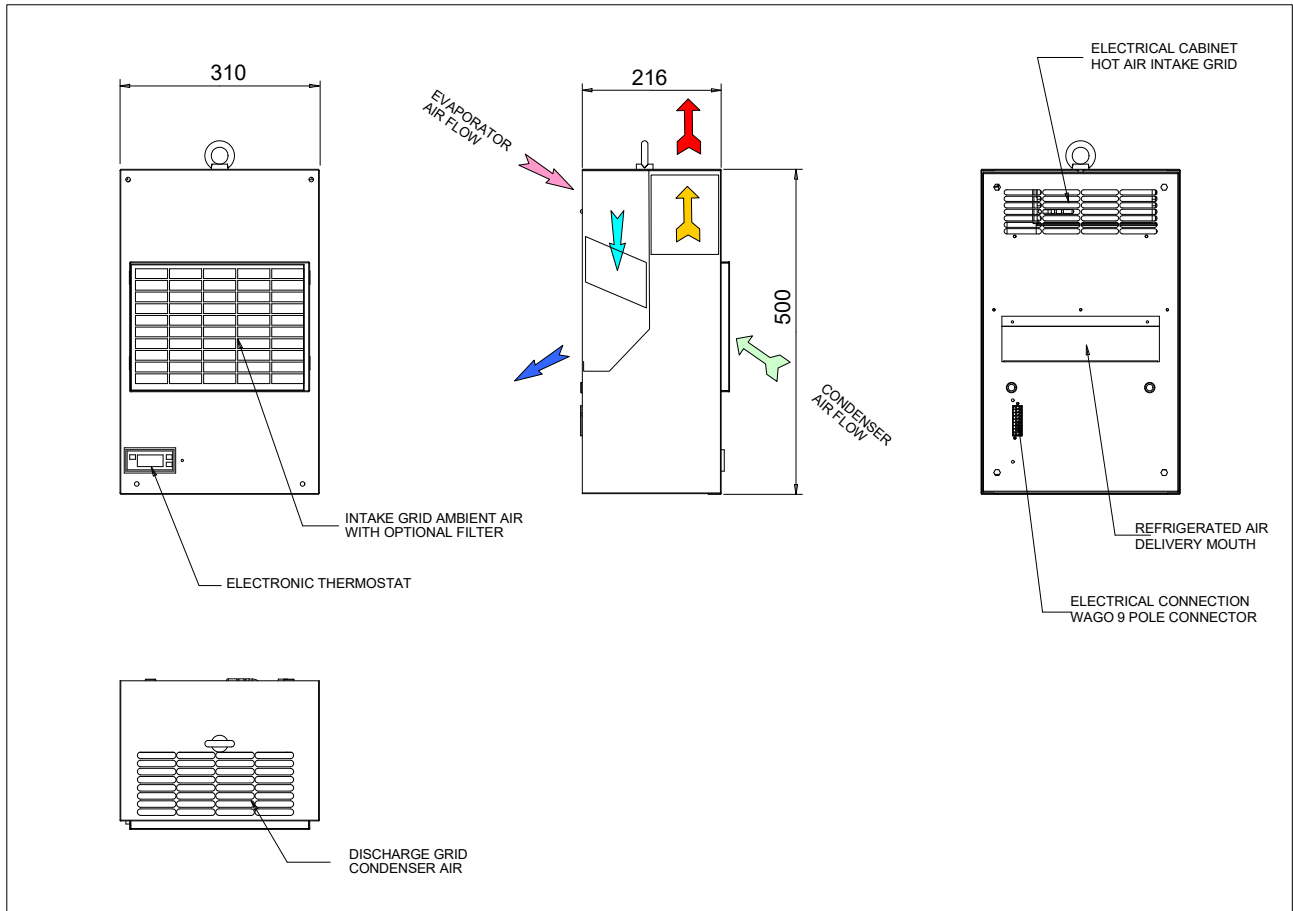
## OVERALL DIMENSIONS ACCORDING TO THE TIPE OF INSTALLATION:

	A	B	C	D	E
STANDARD: ALL OUTSIDE					216
RECESSED WITH CARTER PAI 1026 190			26	190	
SEMIRECESSED WITH CARTER PAI 1026 100	116	100			

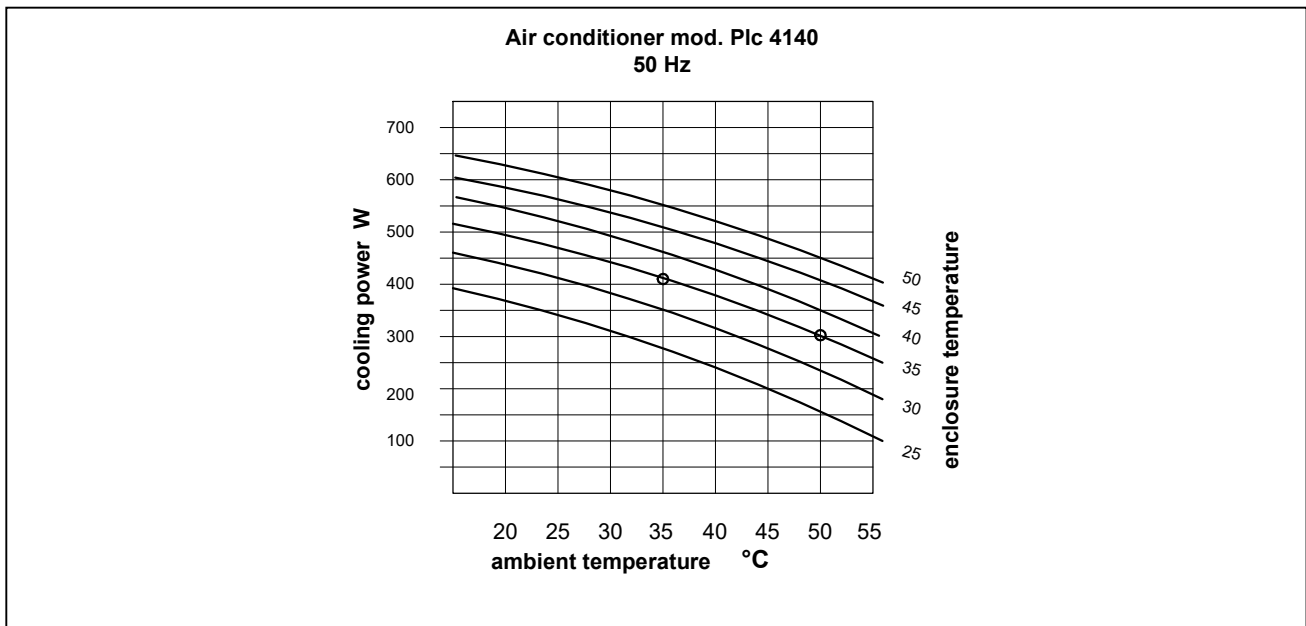


# AIR CONDITIONERS FOR CONTROL PANELS PSC 4140

## OVERALL DIMENSIONS PSC 4140



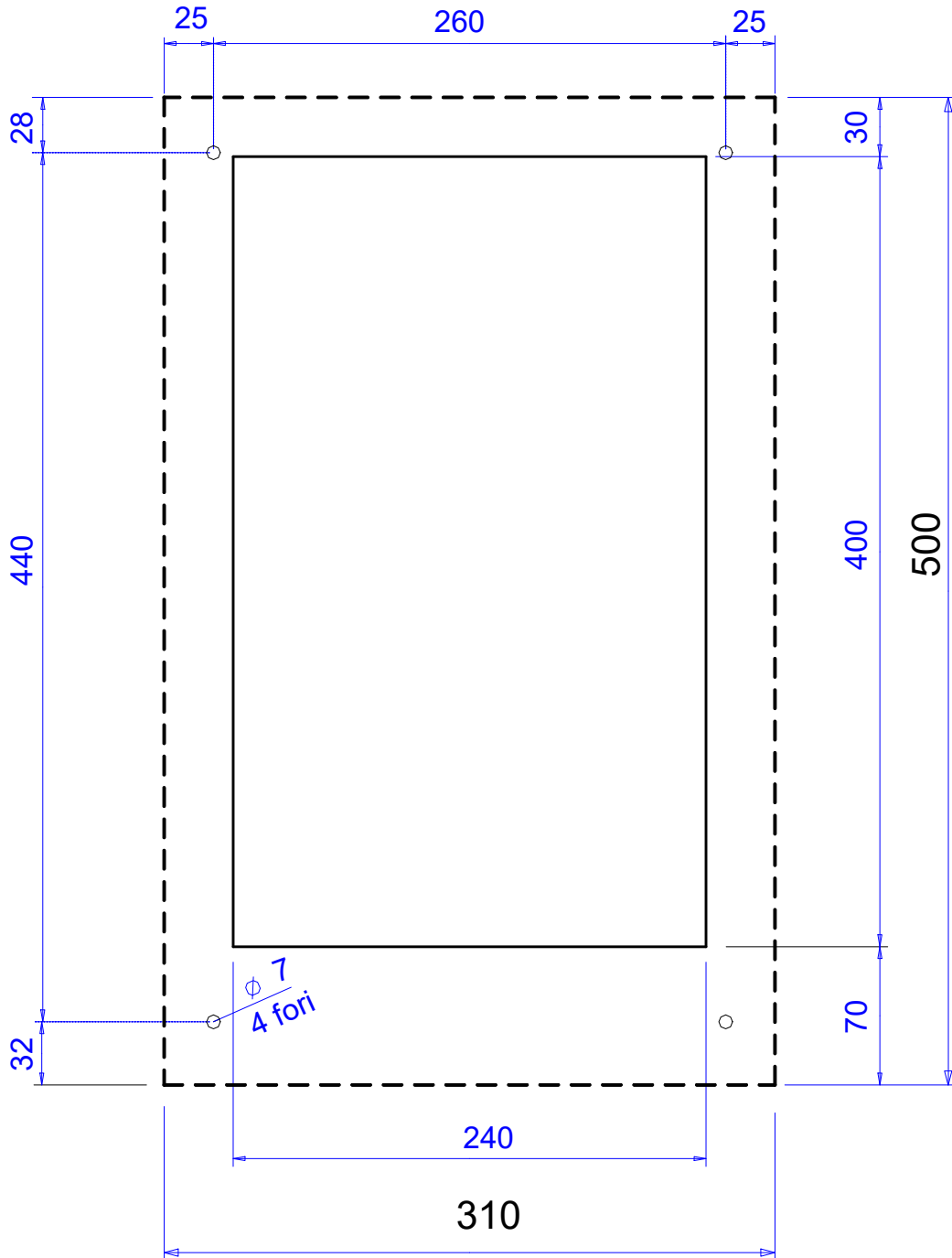
## USEFUL COOLING POWER DIN 3168 (50 Hz)



# AIR CONDITIONERS FOR CONTROL PANELS PSC 4140

## CUT-OUT AND HOLE SIZES PSC 4140

Standard mounting: outside of the cabinet



# AIR CONDITIONERS FOR CONTROL PANELS PSC 4140

## CUT-OUT AND HOLE SIZES PSC 4140

Partially internal mounting PAI 1026100 o PAI 1026190

